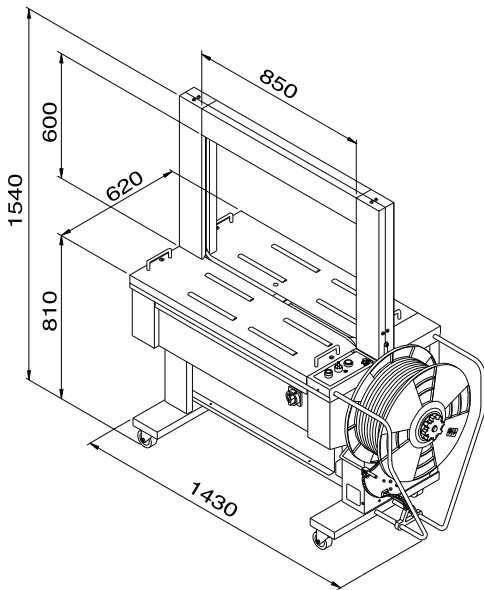
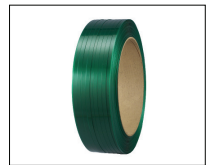


Automatic Strapping Machine for PET Strapping **TP-601DPT**



Main Features:

- Suitable for **PET strap**. Maximum tension up to 70 kg
- Electronic Tension Control
- Auto Strap Feeding
- Auto Strap Ejector



TP-601DPT

Arch Sizes:

H/W	650	850	1050	1250
400				
600		Ⓢ		
800	---			
1000	---			
1200	---			

- Standard arch size: 850 mm(W) x 600 mm(H)
- Larger arches on request

All specifications subject to change without notice.

TP-601DPT TECHNICAL DATA

Strap Type: PET strap
 Strap Width: 9 mm, 11 mm, 12 mm
 Strap Thickness: 0.4 mm - 0.5 mm
 Speed: 29 straps/minute (60Hz)
 Strap Core Size: 200 mm, 280 mm
 Minimum Package Size: 130 mm(W) x 20 mm(H)
 Net Weight: 220 kg
 Power: 110V, 220V, 230V, 380V, 400V 50/60Hz
 1PH or 3PH

