

Atlantis Transit

High-Speed, Designed for General Purposes

TP-701B TP-701BP (With Press)

The Atlantis series strapping machines are the simplest, most reliable general-duty strapping machines on the market today.



Idépack Verpakkingsmachines BV
Zeilmaker 8
NL-3861 SM Nijkerk
THE NETHERLANDS
Tel. +31(0)33 299 00 08
www.idepack.com
info@idepack.com

Made in Taiwan

08.2009x2000

Main Features:



Waist-High Auto Strap Feeding

Friendly design to feed the strap automatically from the upper side of coil without access to the bottom of the machine.



Electronic Tension Control

External adjustment of strap tension by the simple turn of a dial. Easy operation.



Auto Strap Ejector

Loop-eject clears unwanted strap automatically if the machine is accidentally activated without a package. Eliminates downtime.



Hinged Top Plates

Opens wide for quick cleaning, inspection, and maintenance of strapping head, strap-feed and tensioning unit.

More Features:

Multiple Strap Function

For single, double, continuous strapping or transit mode

Belt-Driven table

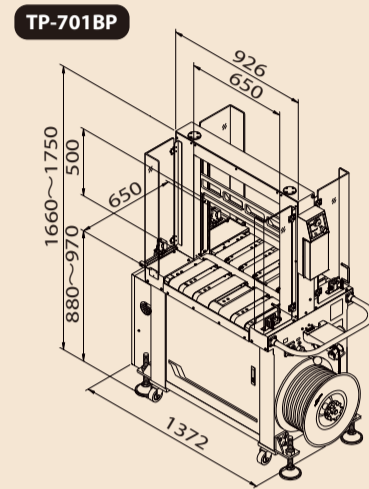
With adjustable speed between 10-60 meter/min

Option

- Siemens PLC control
- Operator friendly low strap sensor (triple lamp)

Arch Sizes

	Width _(mm)	Height _(mm)
Small	550	500
Standard	650	500
Large	850	600
Extra Large	1050	800



Atlantis Transit Technical Data

Strap Width: 5 mm, 6 mm, and 9 mm

Strap Tension: 1-35 kg

Speed: Up to 35 package per minute

Adjustable Table Height: 880 mm-970 mm

Net Weight: 284 kg

Power: 110V, 220V, 230V 50/60Hz 1PH



All specifications are subject to change without notice.

TP-701BP



If you are looking for a fully automatic strapping machine which offers reliability and performance, these machines deliver everything you want. All machines are equipped with Electronic Tension Control, Auto Strap Feeding, and Auto Strap Ejector. In this category, we have three product lines:

- Fully automatic machine with Roller-driven table for wide straps Tauris TP-601A
- Fully automatic machine with Belt-driven table for wide straps Tauris TP-601B, TP-601BP
- High-speed fully automatic machine for narrow straps Atlantis TP-701B, TP-701BP

FULLY-AUTO STRAPPING MACHINE

Tauris Transit

Simple and Reliable, Designed for General Purposes

TP-601A

Roller-Driven Table

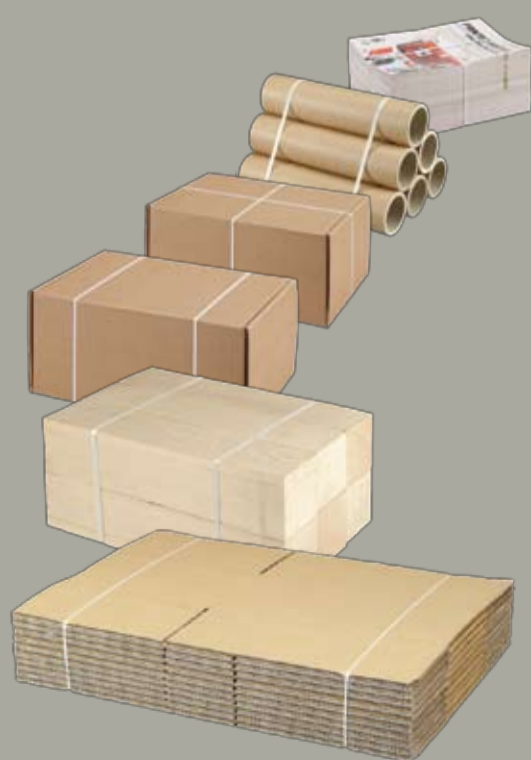
TP-601B

Belt-Driven Table

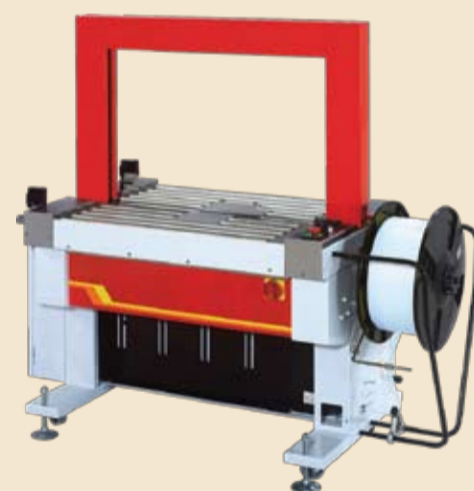
TP-601BP

Belt-Driven Table with Press

The Tauris series strapping machines are the simplest, most reliable general-duty strapping machines on the market today.



TP-601A



TP-601B



TP-601BP



Main Features:



Auto Strap Feeding

Simply insert the strap into the feeding rollers from the coil side of the machine and then push the "reset" button. The machine will automatically feed itself without the need to access to the inside of the machine. No need to remove it from the line for strap feeding. Easy strap loading.



Electronic Tension Control

External adjustment of strap tension by the simple turn of a dial. Easy operation.



Auto Strap Ejector

Loop-eject clears unwanted strap automatically if the machine is accidentally activated without a package. Eliminates downtime.



Belt Transmission

Instead of using roller chain, belt transmission systems ensure long operational life and quiet operation.



Hinged Top Plates

Opens wide for quick cleaning, inspection, and maintenance of strapping head, strap-feed and tensioning unit.

More Features:

Conveyor Speed

30 meter/minute

Multiple Strap Function

For single, double, continuous strapping or transit mode

Up and Down Stream Interlock

Arch Sizes

H	W	850	1050	1250
400				
600	⊙			
800				
1000				

⊙ Standard size: 850 mm(W) x 600 mm(H)

Options

- Siemens PLC control
- Variable Conveyor Speed: from 18 meter/minute to 42 meter/minute
- Stainless steel frame SUS 304 (TP-601AS, TP-601BS, TP-601BPS)

Tauris Transit Technical Data

Strap Width: 8 mm-12 mm

Strap Tension: 7-70 kg

Speed: Up to 18 package/minute (60Hz)

Net Weight: 330kg for TP-601A/TP-601B
347kg for TP-601BP

Power: 220V, 380V, 400V 50/60Hz 3PH

Table height: 820mm for TP-601A

825mm for TP-601B/TP-601BP