

AUTOMATIC STRAPPING MACHINE

Hector TP-705

The Hector TP-705 is an economical model automatic strapping machine for narrow straps (5mm/6mm). The new design of compact mechanical strapping head with less moving parts substantially reduces maintenance issues. It is the most cost effective solution for narrow strap general purposes application.

Main Features:

- Compact Mechanical Strapping Head
- Auto Strap Ejector
- Electronic Tension Control
- Short Feed Sensor & Auto Strap Refeed
- Good Sealing Joint

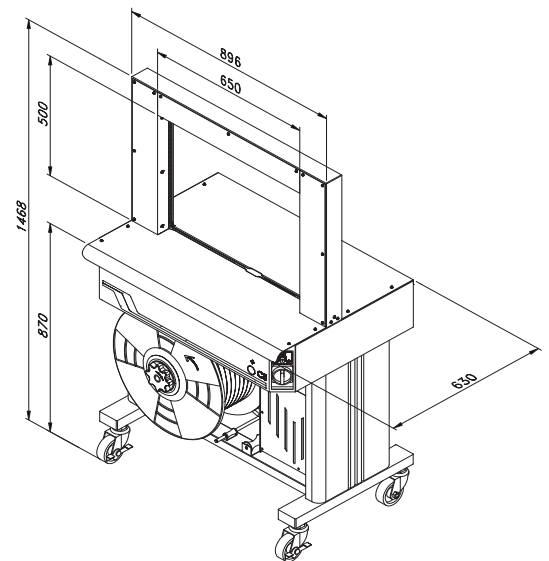
Options:

- Foot Pedal Switch
- Adjustable Table Height Between 870 mm to 950 mm



TP-705 TECHNICAL DATA

Arch Size: 650 mm(W) x 500 mm(H), one size only
Strap Width: 5 mm, 6 mm
Strap Tension: 1-28 kg
Speed: 28 straps/minute (60Hz)
Net Weight: 125 kg
Power: 110V, 220V, 230V 50/60Hz 1PH



All specifications subject to change without notice.

